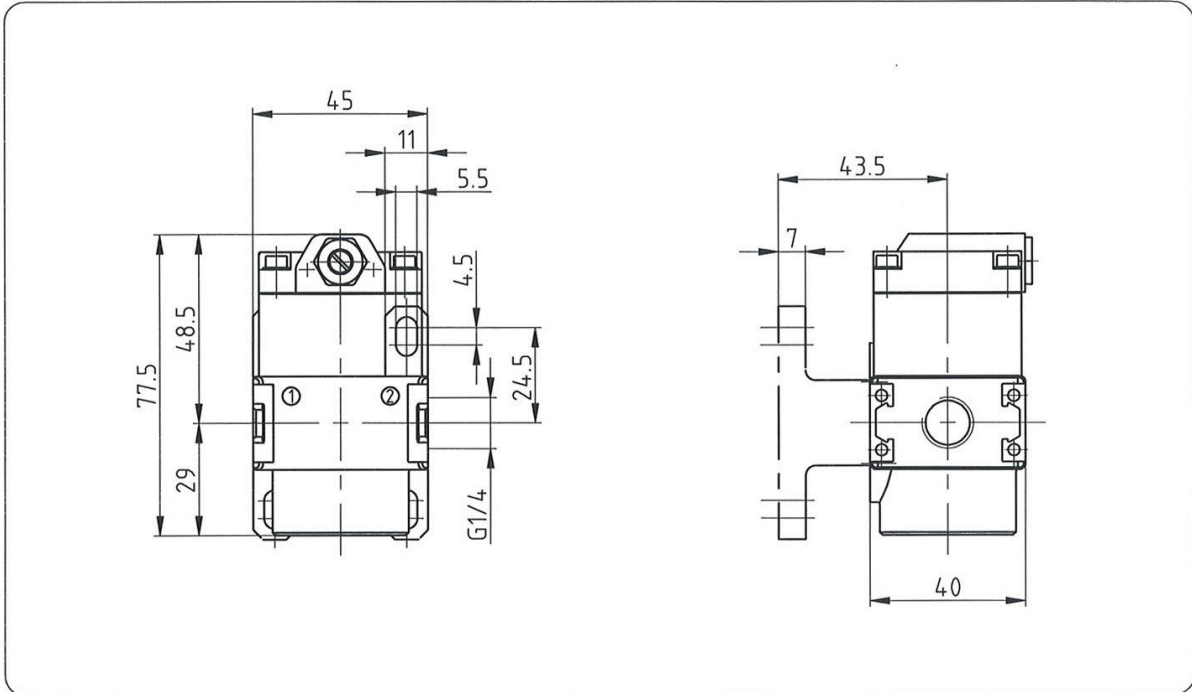
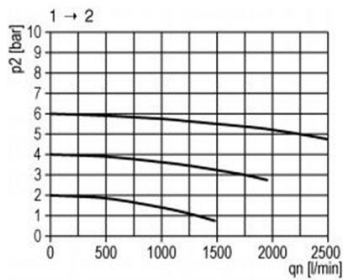


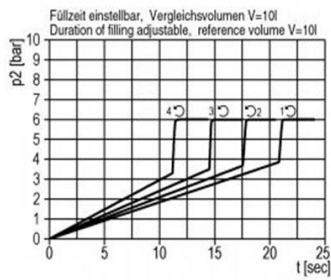
dimensions (mm)



flow characteristics

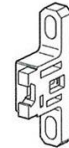


charging characteristics



accessories

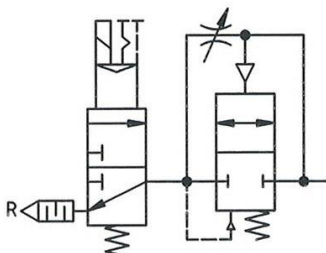
mounting bracket assembly



type: KP 05

various application

3/2-path-valve pressurising unit



aeration of the machinery over throttle setting of the pressurising unit.
 When P2 => 50% opens P1 full profile.
 pressure release over R